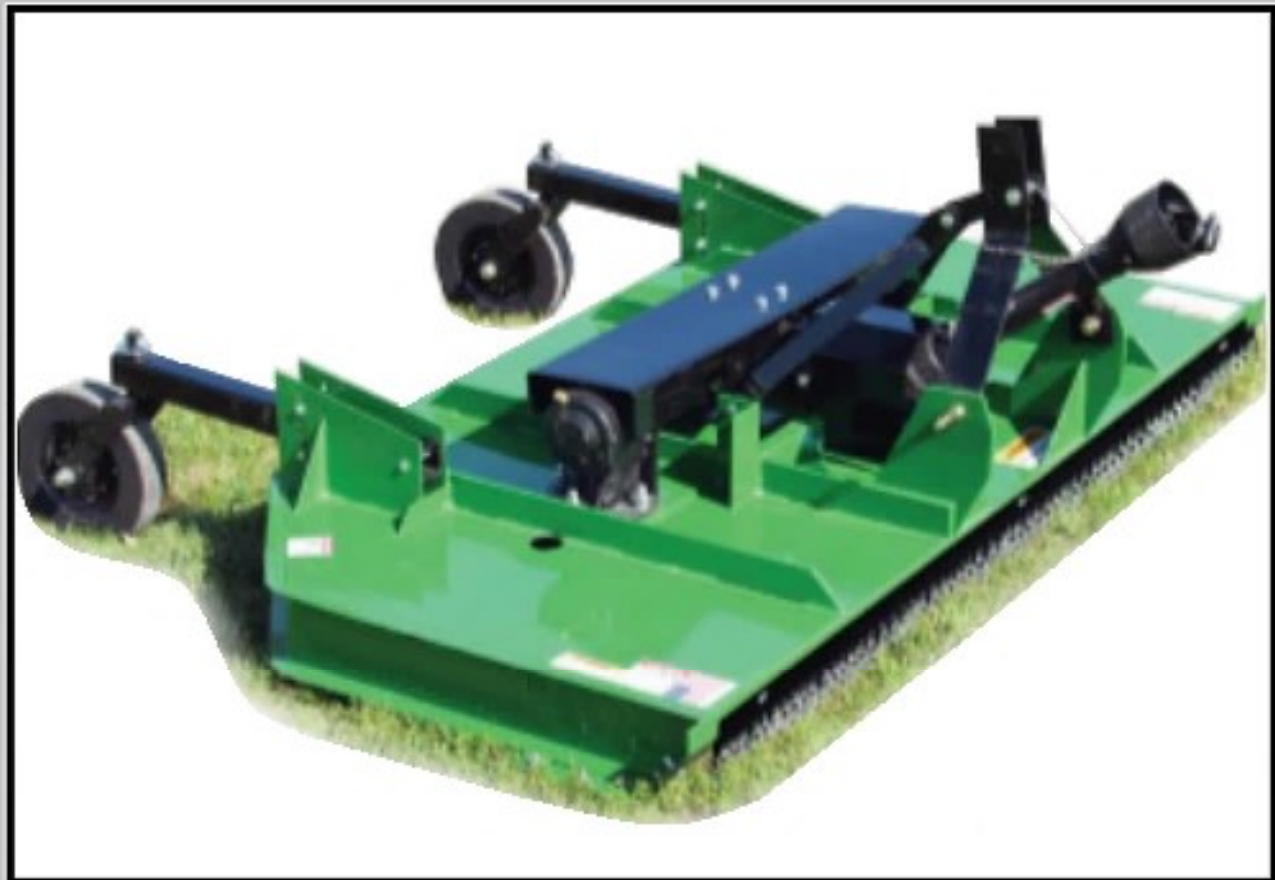




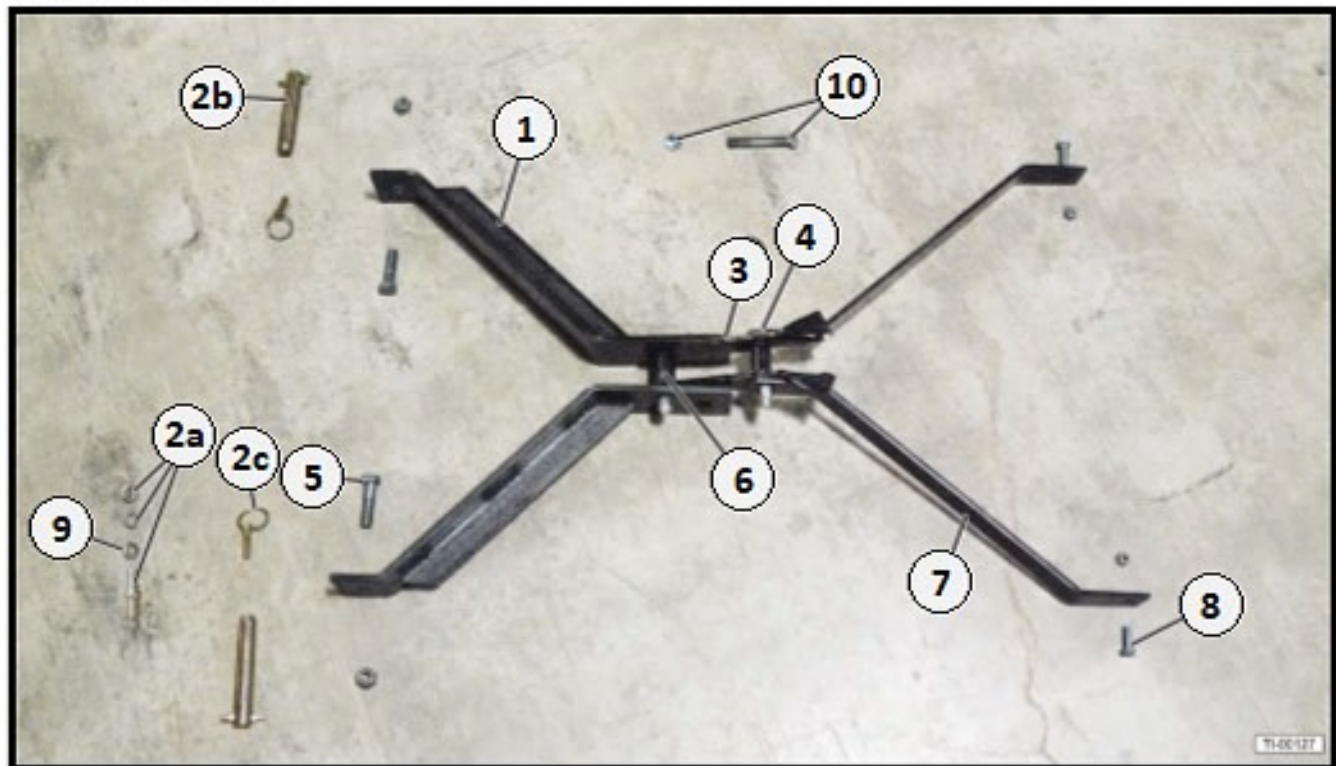
IRONCRAFT

Contact your Authorized Ironcraft Dealer
for all your parts needs



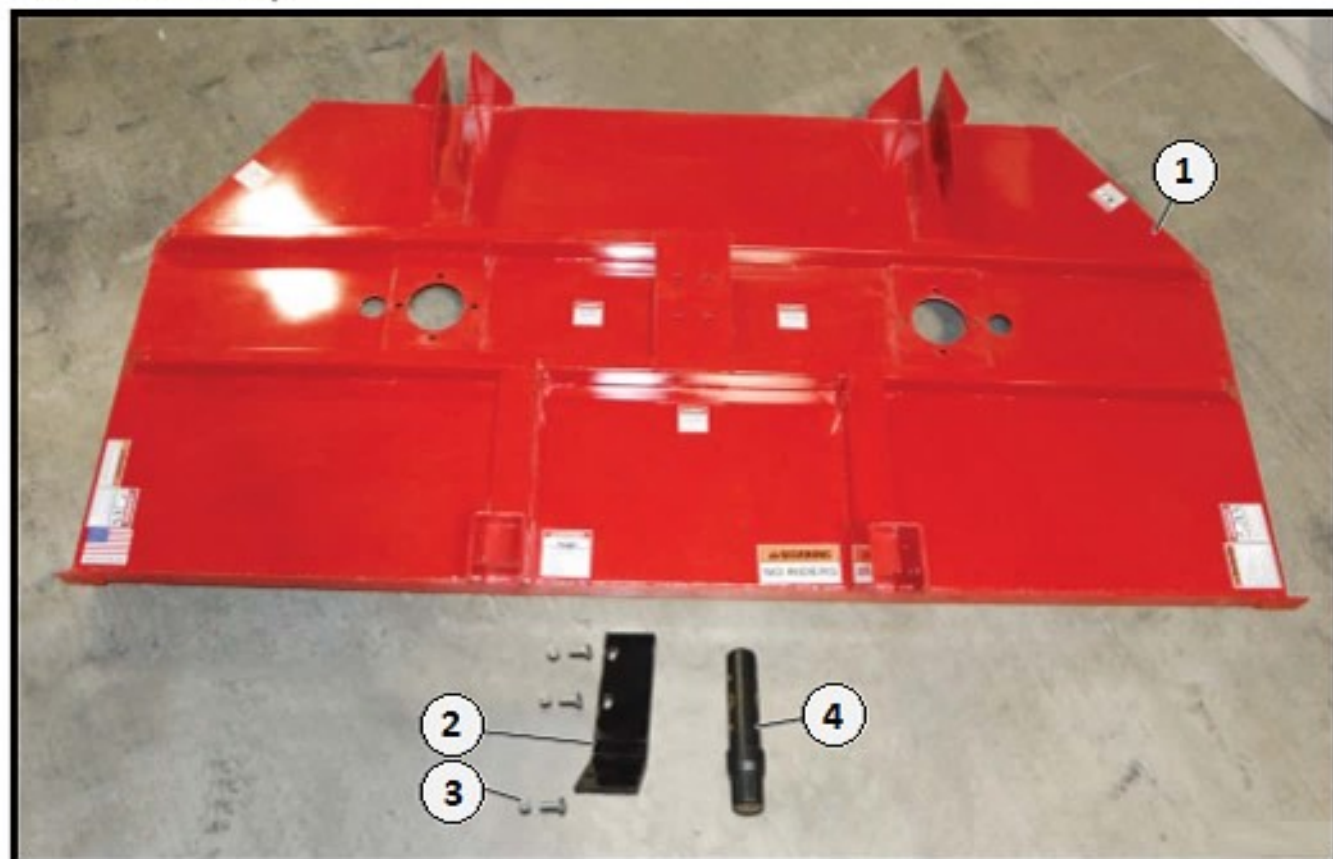
1700 / 1800 Series Lift Type Rotary Cutter Parts Manual

13.1 Hitch Assembly



Item	Part #	Description	Qty
1	120004	A-Frame, Left or Right Side – 3 Hole Top (1708)	2
	160009	A-Frame, Left or Right Side – Heavy Duty (1808-1810)	2
2A	110032	Lift Pin CAT-I (1708)	2
2B	150033	Lift Pin CAT-II	2
2C	150075	Lynch Pin	2
3	120006	Knuckle, Wing Style – Left Side	1
	120032	Knuckle, Wing Style – Right Side	1
4	140004	Bolt & Locknut Kit 5/8" x 5" for A-Frame Knuckle	2
5	150034	Bolt & Locknut Kit 3/4" x 2-1/2" for A-Frame	2
6	110030	A-Frame Spacer 2"	2
7	180006	Back Brace 3/8" x 2" x 29-1/2" (1800)	2
	170000	Back Brace 3/8" x 2" x 26-1/2" (1708)	2
8	110015	Bolt & Locknut Kit 5/8" x 2" for Rear Back Brace (1708)	2
9	120005	Lift Pin Bushing (1708)	2
10	140018	Bolt & Locknut Kit 3/4" x 5" for A-Frame Knuckle (1708-1808-1810)	1

13.2 Deck Assembly

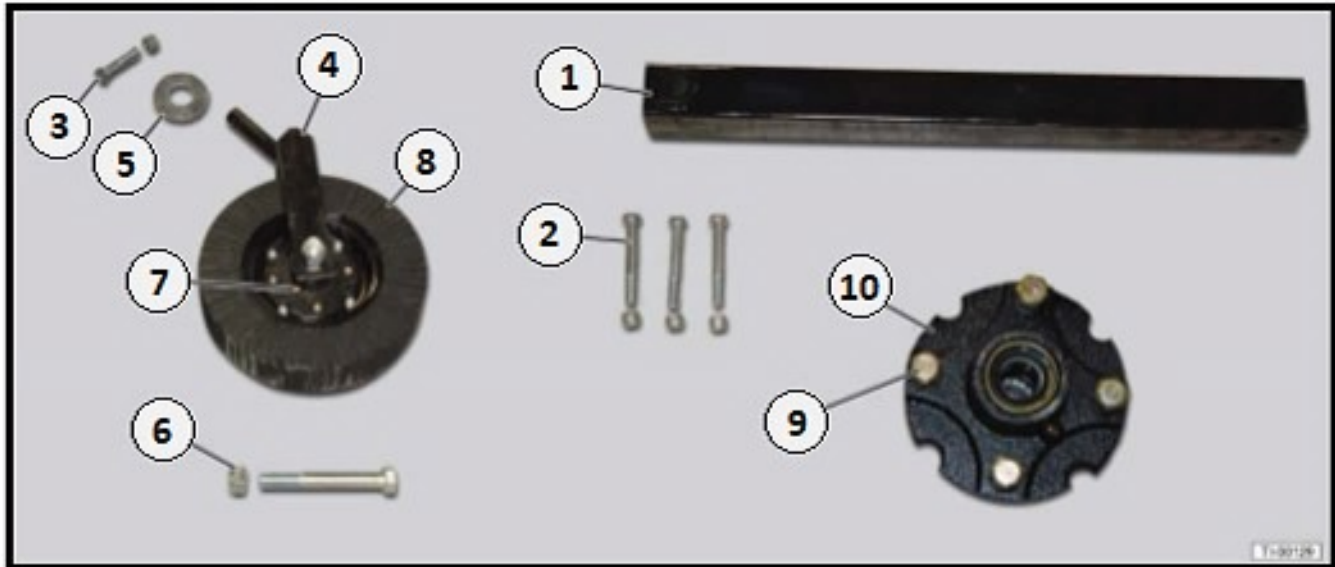


Item	Part #	Description – MODEL 1708	Qty
1	170001	8-ft Deck Only with Decals (1708) - RED 540-RPM	1
	170002	8-ft Deck Only with Decals (1708) - GREEN 540-RPM	
	170003	8-ft Deck Only with Decals (1708) - ORANGE 540-RPM	
	170004	8-ft Deck Only with Decals (1708) - YELLOW 540-RPM	
	170005	8-ft Deck Only with Decals (1708) - BLUE 540-RPM	
	170006	8-ft Deck Only with Decals (1708) - GREY 540-RPM	
2	120010	Skid Shoes (Sold in Pairs)	1
3	120011	Carriage Bolt & Locknut Kit 1/2"x 1-1/2" for Skid Shoes (6-Pack)	1
4	110034	Document Holder with Screws	1

Item	Part #	Description – MODEL 1808	Qty
1	180009	8-ft Deck Only with Decals (1808) - RED 540-RPM	1
	180010	8-ft Deck Only with Decals (1808) - GREEN 540-RPM	
	180011	8-ft Deck Only with Decals (1808) - ORANGE 540-RPM	
	180012	8-ft Deck Only with Decals (1808) - YELLOW 540-RPM	
	180013	8-ft Deck Only with Decals (1808) - BLUE 540-RPM	
	180014	8-ft Deck Only with Decals (1808) - GREY 540-RPM	
2	120010	Skid Shoes (Sold in Pairs)	1
3	120011	Carriage Bolt & Locknut Kit 1/2"x 1-1/2" for Skid Shoes (6-Pack)	1
4	110034	Document Holder with Screws	1

Item	Part #	Description – MODEL 1810	Qty
1	180015	10-ft Deck Only with Decals (1810) - RED 540-RPM	1
	180016	10-ft Deck Only with Decals (1810) - GREEN 540-RPM	
	180017	10-ft Deck Only with Decals (1810) - ORANGE 540-RPM	
	180018	10-ft Deck Only with Decals (1810) - YELLOW 540-RPM	
	180019	10-ft Deck Only with Decals (1810) - BLUE 540-RPM	
	180020	10-ft Deck Only with Decals (1810) - GREY 540-RPM	
2	120010	Skid Shoes (Sold in Pairs)	1
3	120011	Carriage Bolt & Locknut Kit 1/2"x 1-1/2" for Skid Shoes (6-Pack)	1
4	110034	Document Holder with Screws	1

13.3 Tailwheel Assembly



Item	Part #	Description	Qty
1	150050	Tailwheel Tube, Heavy Duty 36"	2
2	120003	Bolt & Locknut Kit 1/2"x 4-1/2" for Tailwheel Tube	6
3	110017	Bolt & Locknut Kit 1/2"x 2" for Tailwheel Fork	2
4	110018	Tailwheel Fork	2
5	110019	Flatwasher 1-1/4"	2
6	110020	Axle Bolt & Locknut Kit 1"-8 x 8" (1808-1810)	2
7	110021	Zerk Fitting	2
8	110022	Laminated Wheel	2
9	110023	Bolt, Lockwasher & Locknut Kit 5/16"x 3/4"	8
* 10	150031	Wheel Hub – Heavy Duty	2
---	150052	Complete Tailwheel Kit – Heavy Duty (Not Shown) Note: comes with fork, hub, wheel and hardware	2

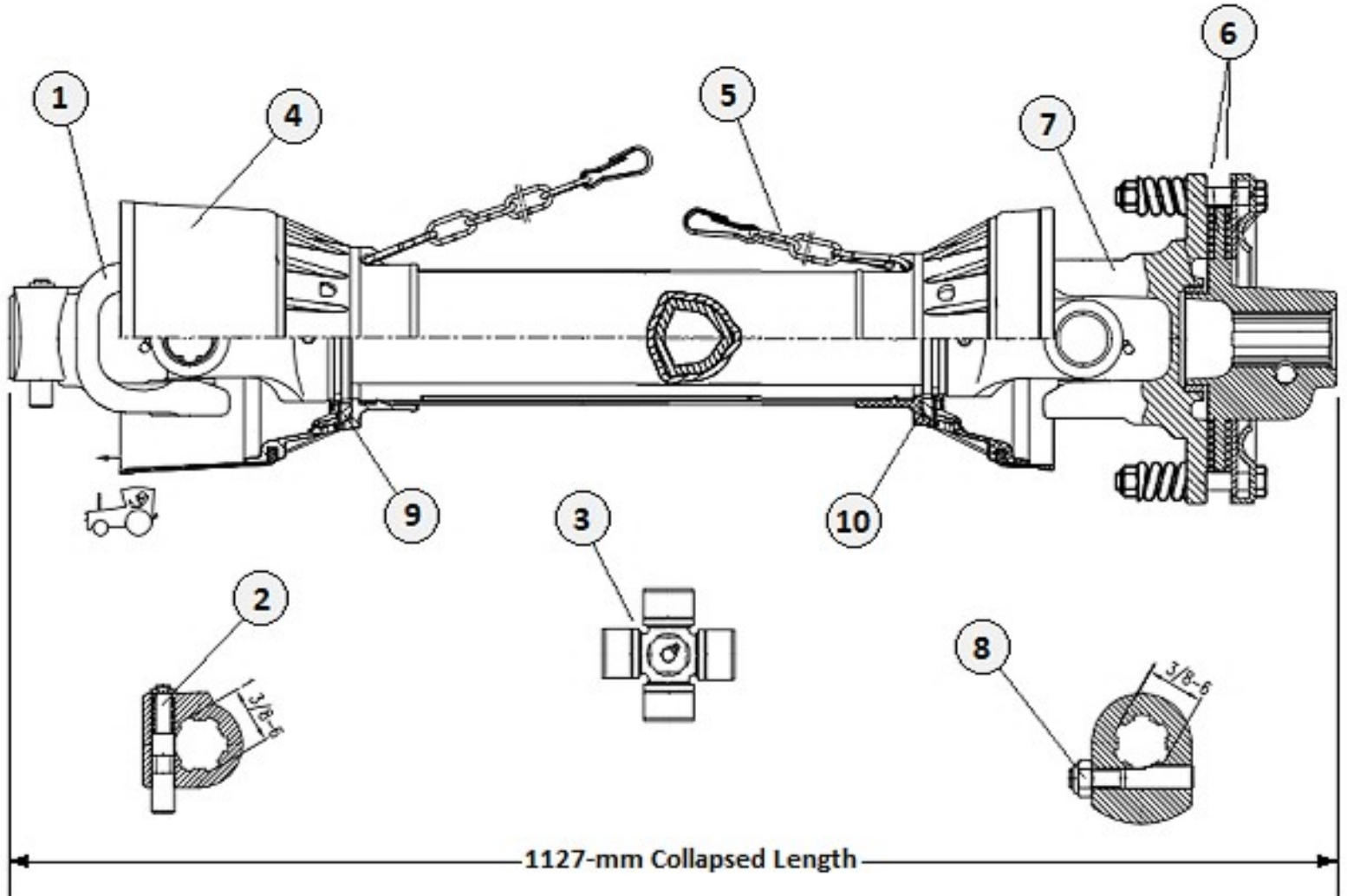
* Note: 150080 H.D. Hub Brg & Seal

13.4 Driveline Assembly



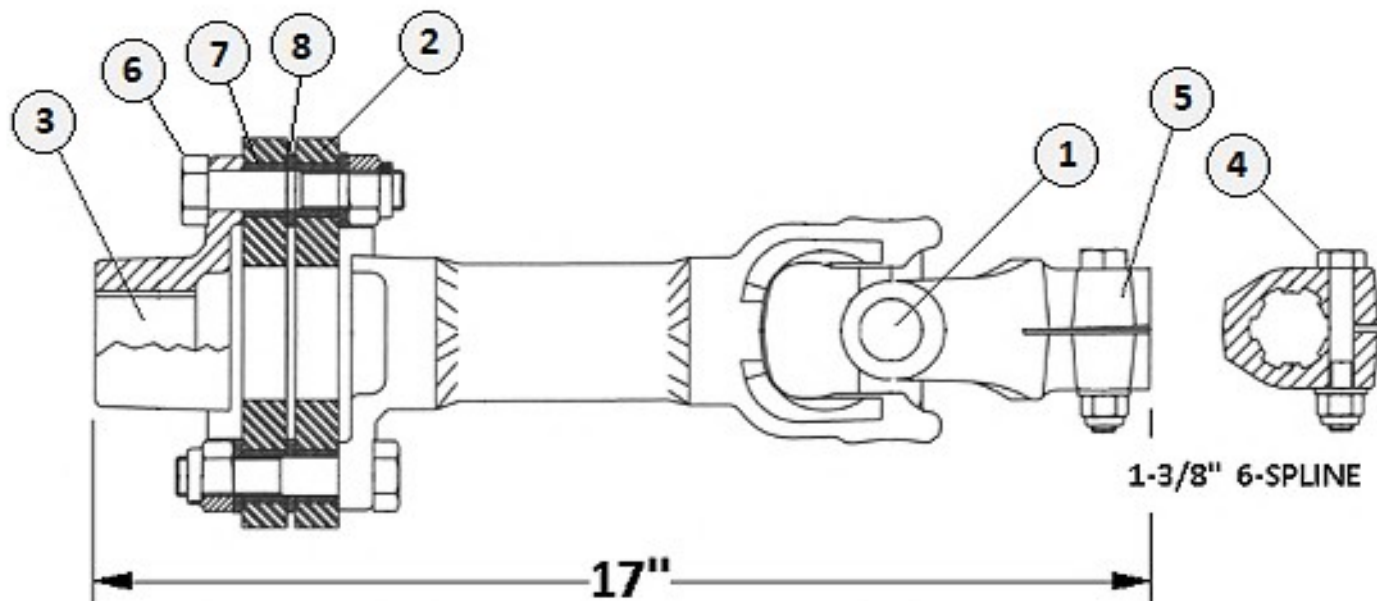
Item	Part #	Description	Qty
1	160010	Driveline, Series 6 (120H) with Slipclutch – Heavy Duty	1

SLIPCLUTCH DRIVELINE COMPONENTS



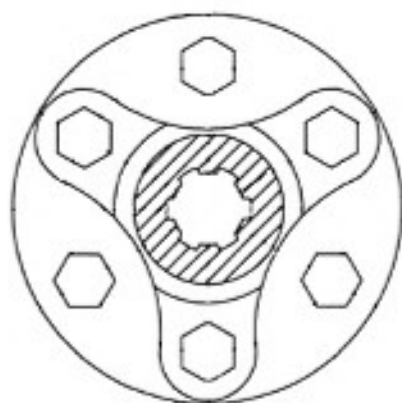
Item	Part #	Description	Qty
1	552040	Tractor Yoke with Push Pin 1-3/8" (6-S)	A/R
	552170	Tractor Yoke with Push Pin 1-3/8" (21-S)	A/R
2	552041	Push Pin Kit	1
3	552048	Cross Kit 30.25 x 80	2
4	552042	Complete Safety Shield	1
5	552005	Safety Chain	2
6	552043	Clutch Lining (2-Pack)	1
7	552044	Complete Slipclutch	1
8	552045	Eccentric Pin with Nut	1
9	552046	Outer Plastic Shield Bearing	1
10	552047	Inner Plastic Shield Bearing	1
	160010	Driveline with 1-3/8" (6-Spline Both Ends)	A/R
	160010-21	Driveline with 1-3/8 (21-S Tr & 6-S Clutch)	A/R

CONNECTOR SHAFT COMPONENTS

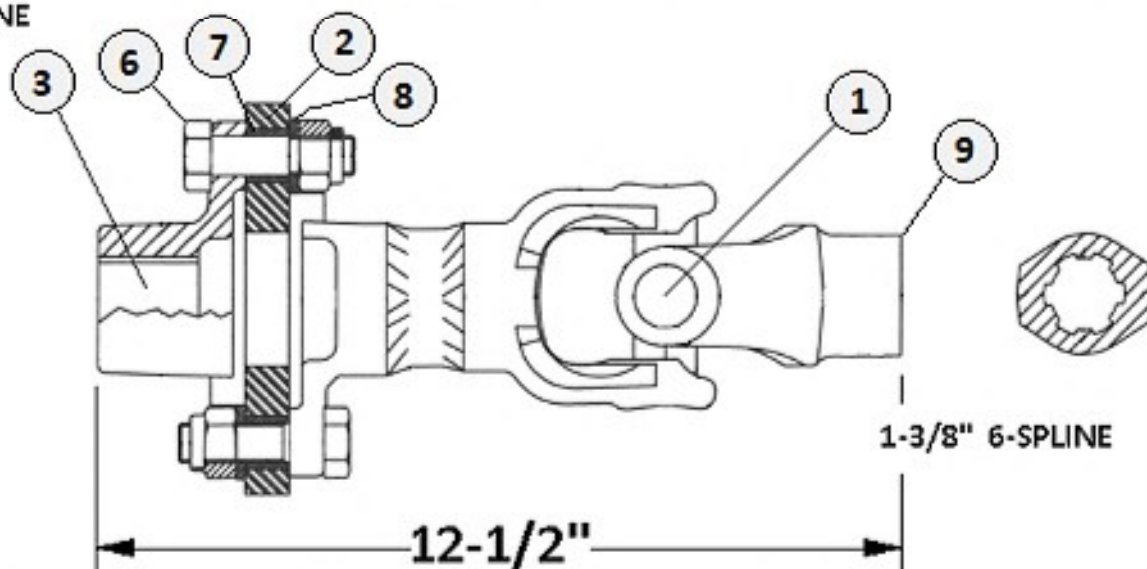


180003 - Complete Connector Shaft for (10-Ft. Cutter)

Item	Part #	Description	8-ft	10-ft
1	552130	Cross Kit – 30.2 x 80	1	1
2	552131	Rubber Pad	1	2
3	552133	Spider – 1-3/8" 6-Spline	1	1
4	552134	Lock Bolt	---	1
5	552132	Yoke – 1-3/8" 6-Spline	---	1
6	552136	Bolt M16 x 60	6	6
7	552137	Spacer	6	6
8	552138	Shim Washer M16	12	12
9	552139	Yoke – 1-3/8" 6-Spline	1	---

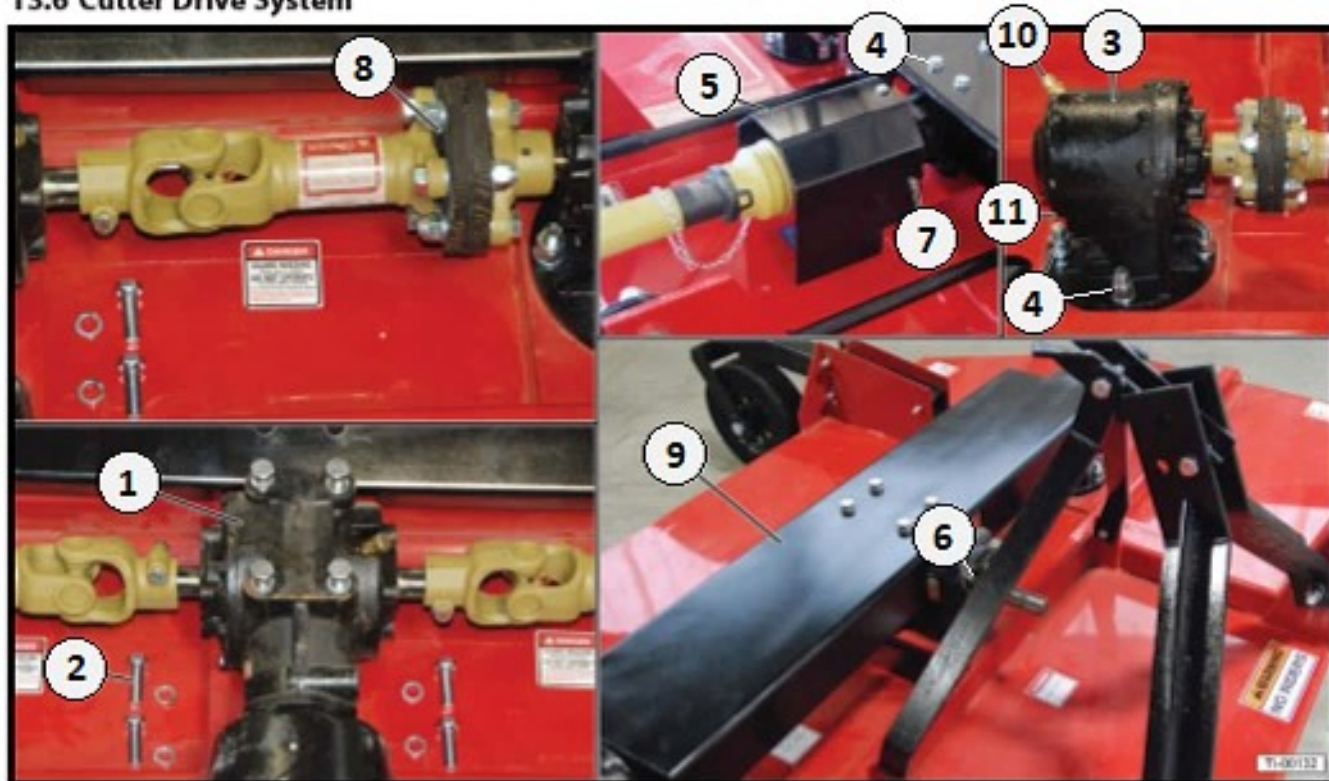


1-3/8" 6-SPLINE



180002 - Complete Connector Shaft for (8-Ft. Cutter)

13.6 Cutter Drive System

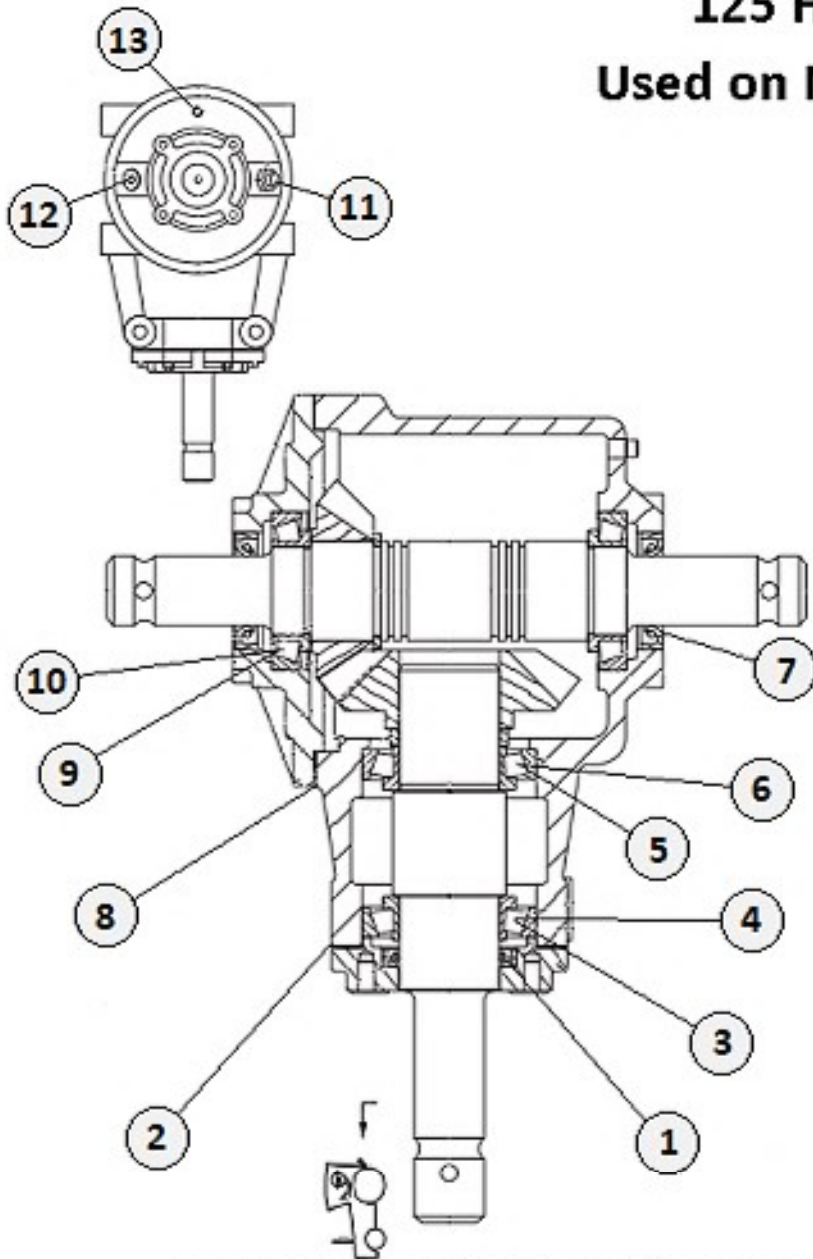


Item	Part #	Description	Qty
1	180000	Gearbox – Center Tee	1
2	180001	Bolt, Lockwasher & Locknut Kit 5/8" x 1-1/4" – for Center Tee G/Box	4
3	130000	Gearbox, Slipclutch Style 100-Hp 1:1.46 Ratio	2
	150027	Gearbox, Slipclutch Style 100-Hp 1:1.93 Ratio	A/R
4	110068	Bolt, Lockwasher & Locknut Kit 3/4" x 3" for Outboard G/Box	8
	170021	Bolt, Lockwasher & Locknut Kit 5/8" x 1-1/2" for Center Tee G/Box	4
5	150076	Gearbox Shield – Plastic (Replaces Metal Shield)	1
6	110006	Bolt & Washer Kit 5/16" x 1/2" (4Pack)	1
7	110017	Bolt & Lockwasher Kit 1/2" x 1-1/2" (for old style Metal Shield)	3
8	180002	Shock Coupler for 8-ft Models	2
	180003	Shock Coupler for 10-ft Models	2
9	180004	Center Gearbox Shield for 8 & 10-ft Models	1
10	110008	Gearbox Vent Plug	2
11	110009	Gearbox Drain Plug	2

A/R = As Required

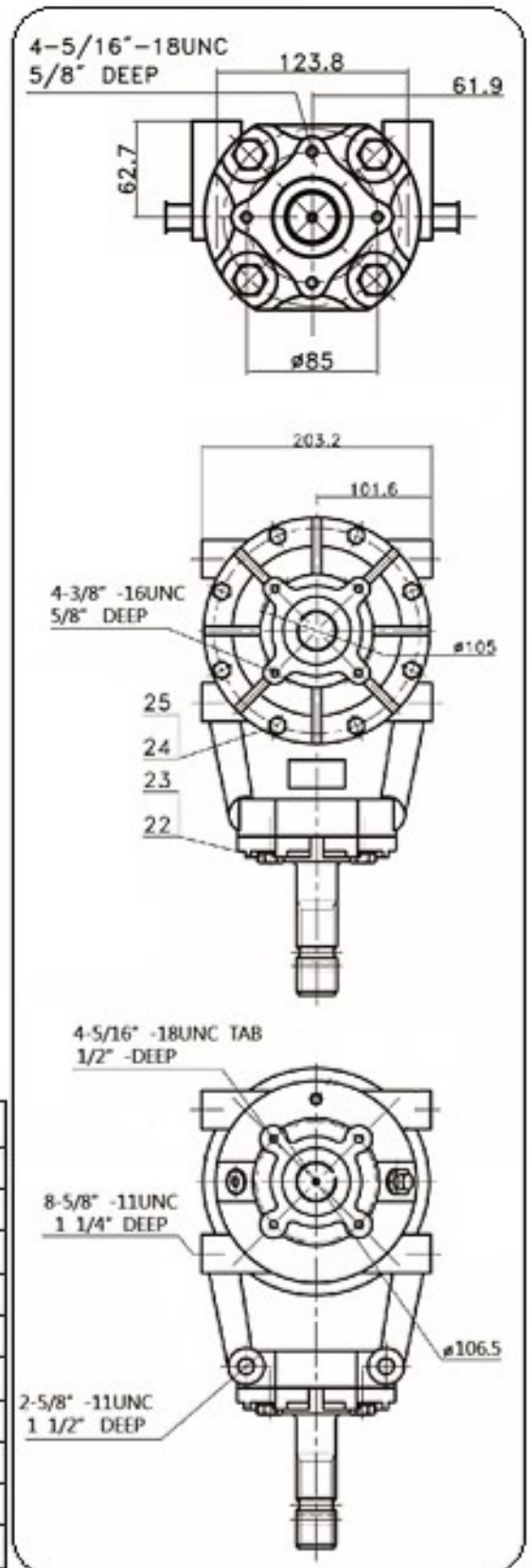
125 Hp - CENTER T-BOX

Used on Models: 1700 - 1800



180000 - COMPLETE "T" GEARBOX

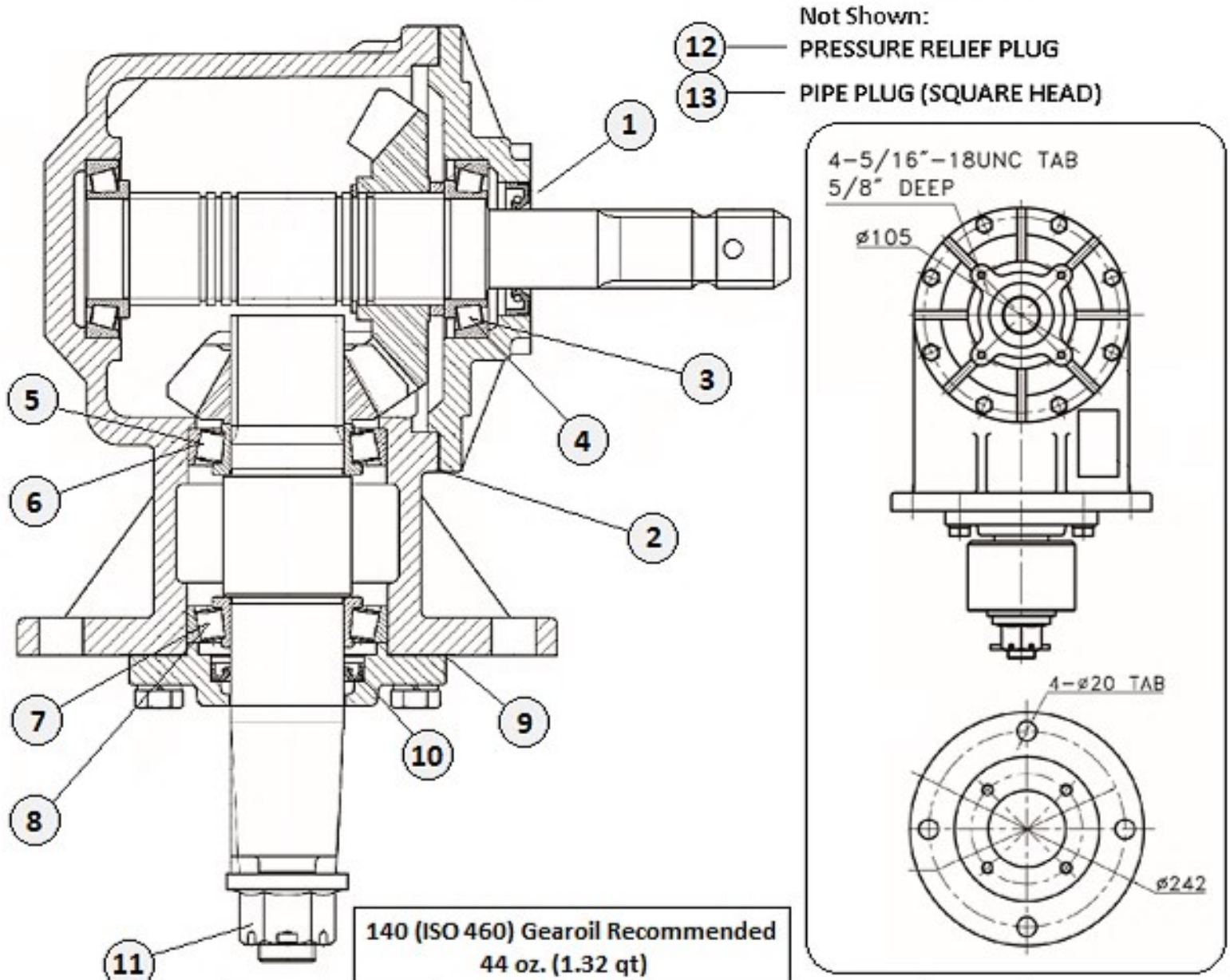
Item	Part #	Description	10-ft
1	551050	Input Seal	1
2	551051	Input Gasket Kit	1
3	551026	Input Cone Bearing – Front	1
4	551027	Input Bearing Cup - Front	1
5	551024	Input Cone Bearing – Rear	1
6	551025	Input Bearing Cup – Rear	1
7	551052	Output Seal	2
8	551021	Output Gasket Kit	1
9	551022	Output Cone Bearing	2
10	551023	Output Bearing Cup	2
11	110008	Pressure Relief Plug	1
12	551053	Drain Plug (Allen Head)	1
13	110009	Pipe Plug (Square Head)	1



100 Hp GEARBOX

used on Models: 1700 - 1800

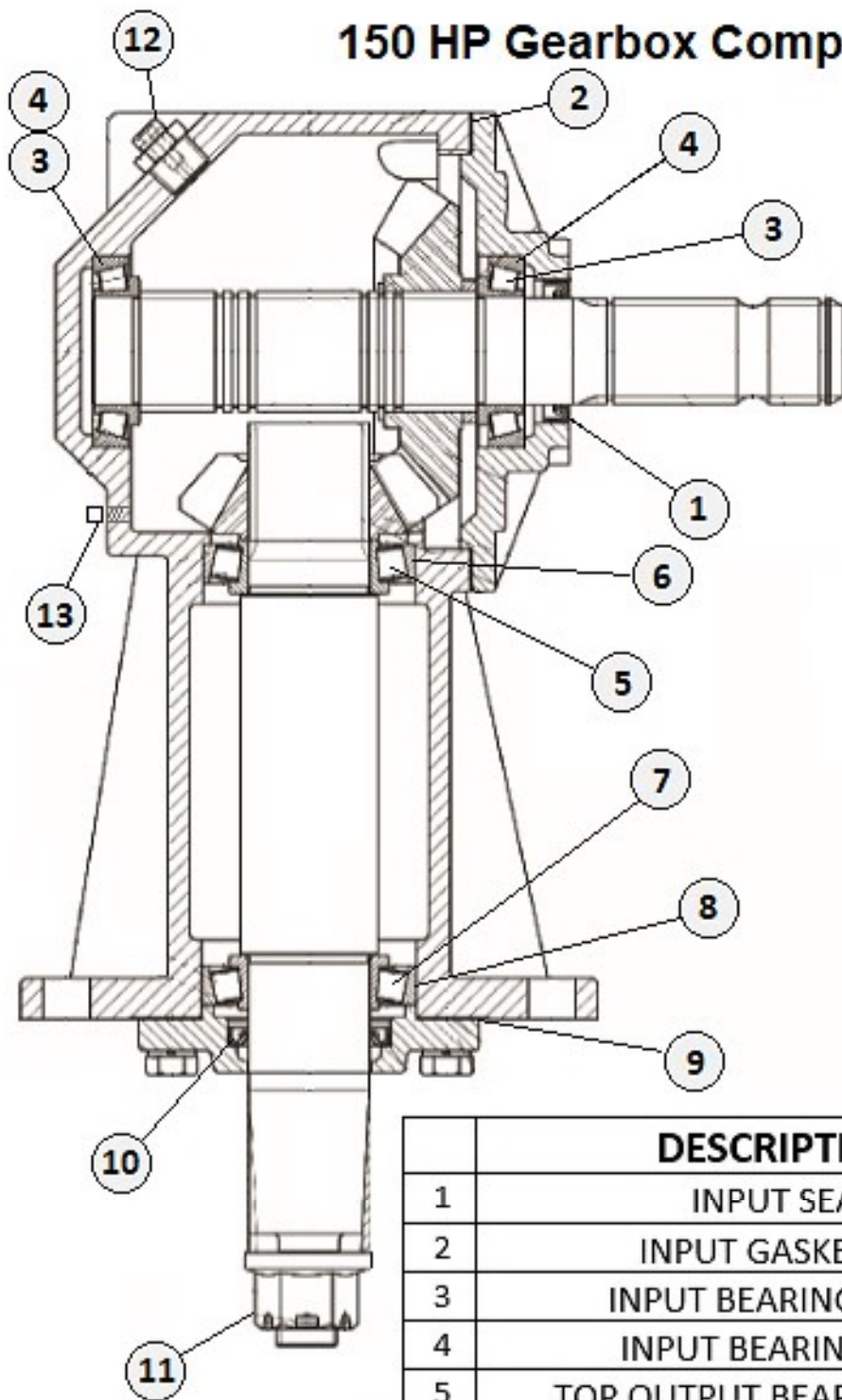
Note: Complete Gearbox
 150027 610-Series 1:1.93 Ratio
 130000 610-Series 1:1.46 Ratio



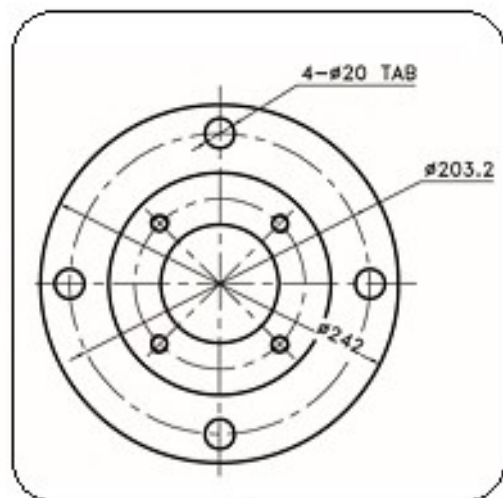
Item	Part #	Description	Qty
1	551020	Input Seal	1
2	551021	Input Gasket Kit	1
3	551022	Input Cone Bearing	2
4	551023	Input Bearing Cup	2
5	551024	Output Cone Bearing - Top	1
6	551025	Output Bearing Cup - Top	1
7	551026	Output Cone Bearing - Bottom	1
8	551027	Output Bearing Cup - Bottom	1
9	551028	Output Gasket Kit	1
10	551029	Output Seal	1
11	110013	Castle Nut / Cotter Pin Kit 1" Fine Thread	1
12	110008	Pressure Relief Plug	1
13	110009	Pipe Plug (Square Head)	1

150 HP Gearbox Components (1000-Rpm)

RW81 1.21:1 Ratio



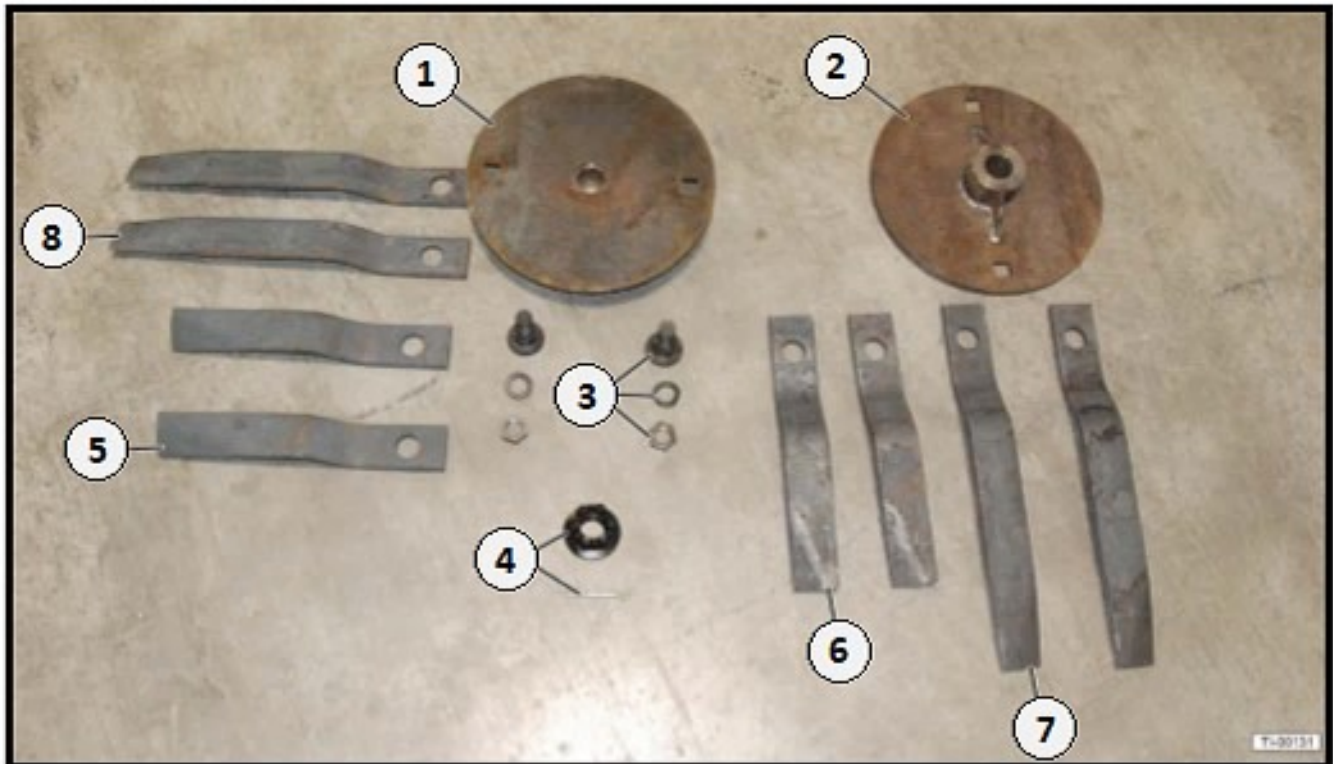
1-3/8" 6-Spline



140 (ISO 460) Gearoil Recommended
Fill level 44-oz. (1.32-Qt)

	DESCRIPTION	Item #	Qty
1	INPUT SEAL	551040	1
2	INPUT GASKET KIT	551021	1
3	INPUT BEARING CONE	551022	2
4	INPUT BEARING CUP	551023	2
5	TOP OUTPUT BEARING CONE	551024	1
6	TOP OUTPUT BEARING CUP	551025	1
7	BOTTOM OUTPUT BEARING CONE	551026	1
8	BOTTOM OUTPUT BEARING CUP	551027	1
9	OUTPUT GASKET KIT	551028	1
10	OUTPUT SEAL	551029	1
11	CASTLE NUT/COTTER PIN KIT	110013	1
12	PRESSURE RELIEF PLUG	110008	1
13	SQ. HEAD PIPE PLUG	110009	1
COMPLETE G/BOX 150-HP (1000-Rpm)		150035	

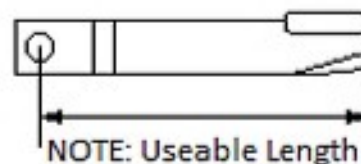
13.9 Blade Assembly



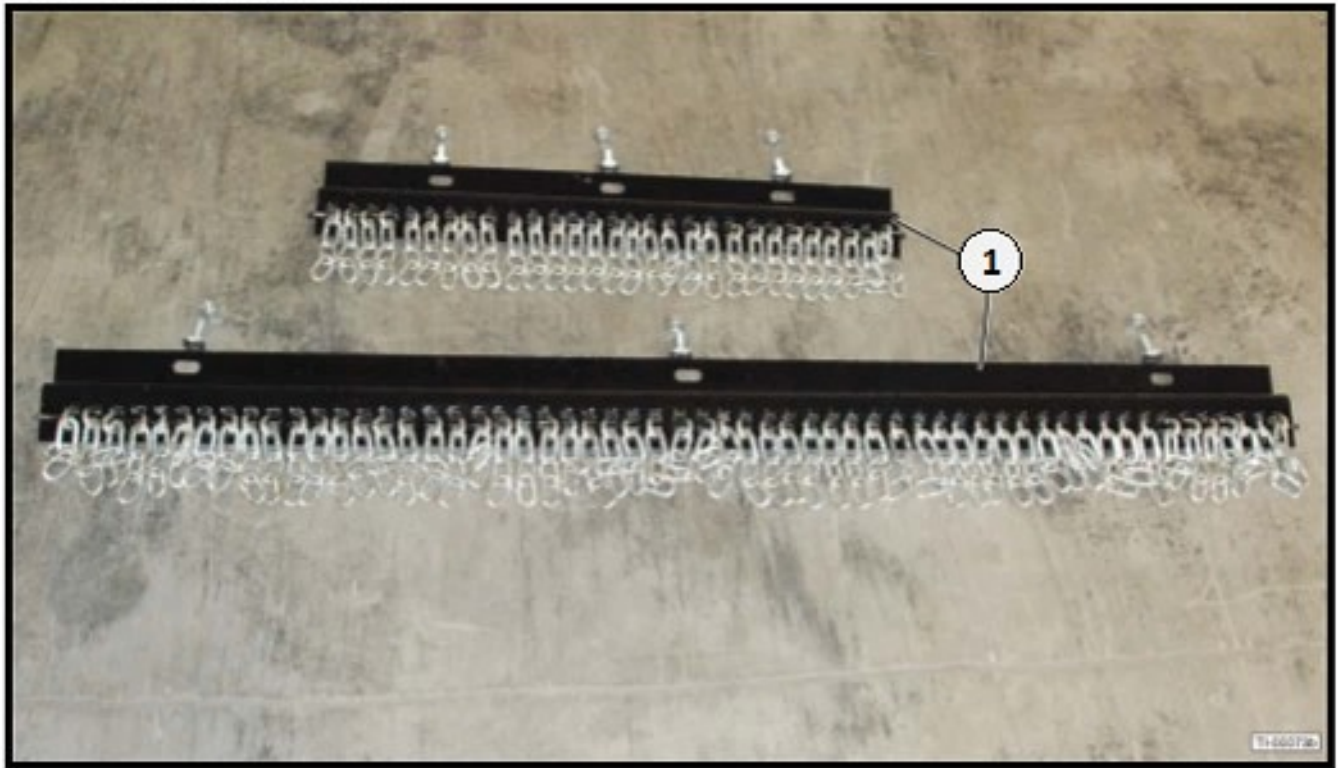
Item	Part #	Description	Qty
1	180007	Blade Carrier 5/8"x 19-1/2" - Flat Type (1708-1808) for 1:1.46 Gearbox	A/R
	180090	Blade Carrier - 1808 (New) for 1:1.93 Gearbox (Bolt Holes 15.50" Ctr to Ctr)	A/R
2	130014	Blade Carrier 5/8"x 17" - Flat Type (1810) (Bolt holes 13.50" Ctr to Ctr)	1
3	110012	Blade Bolt, Lockwasher & Nut Kit 1-1/8" (2-Pack)	1
4	110013	Blade Carrier Retainer Kit - 1" Fine Thread Nut & 1/8" Cotter Pin	1
5	T-48	Cutter Blades, 8-ft (1708-1808) Sold in Pairs Useable Length 16"	1
6	T-48R	Reverse Cutter Blades, 8-ft (1708-1808) Sold in Pairs Useable Length 16"	1
7	T-60	Cutter Blades, 10-ft (1810) Sold in Pairs Useable Length 22"	1
8	T-60R	Reverse Cutter Blades, 10-ft (1810) Sold in Pairs Useable Length 22"	1

A/R = As Required

NOTE: Uses 1-11/16" Socket size for Blade Bolt Nut



13.10 Optional Chain Guard



Item	Part #	Description	Qty
1	CG-1708	Front & Rear Chain Shield Kit 8-ft (1708)	1
	CG-1808	Front & Rear Chain Shield Kit 8-ft (1808)	1
	CG-1810	Front & Rear Chain Shield Kit 10-ft (1810)	1